

THE
SHARPER
IMAGE

ONE YEAR LIMITED WARRANTY

SI PRODUCTS sells its products with the intent that they are free of defects in manufacture and workmanship for a period of one year from the date of original purchase, except as noted below. SI PRODUCTS warrants that its products will be free of defects in material and workmanship under normal use and service. This warranty extends only to consumers and does not extend to Retailers.

To obtain warranty service on your SI PRODUCTS product, mail the product and your dated sales receipt (as proof of purchase), postpaid, to the following address:

SI PRODUCTS Consumer Relations
Service Center Dept. 168
3000 Pontiac Trail
Commerce Township, MI 48390

No COD's will be accepted.

SI PRODUCTS does not authorize anyone, including, but not limited to, Retailers, the subsequent consumer purchaser of the product from a Retailer or remote purchasers, to obligate SI PRODUCTS in any way beyond the terms set forth herein. This warranty does not cover damage caused by misuse or abuse; accident; the attachment of any unauthorized accessory; alteration to the product; improper installation; unauthorized repairs or modifications; improper use of electrical/power supply; loss of power; dropped product; malfunction or damage of an operating part from failure to provide manufacturer's recommended maintenance; transportation damage; theft; neglect; vandalism; or environmental conditions; loss of use during the period the product is at a repair facility or otherwise awaiting parts or repair; or any other conditions whatsoever that are beyond the control of SI PRODUCTS.

This warranty is effective only if the product is purchased and operated in the country in which the product is purchased. A product that requires modifications or adoption to enable it to operate in any other country than the country for which it was designed, manufactured, approved and/or authorized, or repair of products damaged by these modifications is not covered under this warranty.

THE WARRANTY PROVIDED HEREIN SHALL BE THE SOLE AND EXCLUSIVE WARRANTY. THERE SHALL BE NO OTHER WARRANTIES EXPRESS OR IMPLIED INCLUDING ANY IMPLIED WARRANTY OF MERCHANTABILITY OR FITNESS OR ANY OTHER OBLIGATION ON THE PART OF THE COMPANY WITH RESPECT TO PRODUCTS COVERED BY THIS WARRANTY. SI PRODUCTS SHALL HAVE NO LIABILITY FOR ANY INCIDENTAL, CONSEQUENTIAL OR SPECIAL DAMAGES. IN NO EVENT SHALL THIS WARRANTY REQUIRE MORE THAN THE REPAIR OR REPLACEMENT OF ANY PART OR PARTS WHICH ARE FOUND TO BE DEFECTIVE WITHIN THE EFFECTIVE PERIOD OF THE WARRANTY.

NO REFUNDS WILL BE GIVEN. IF REPLACEMENT PARTS FOR DEFECTIVE MATERIALS ARE NOT AVAILABLE, SI PRODUCTS RESERVES THE RIGHT TO MAKE PRODUCT SUBSTITUTIONS IN LIEU OF REPAIR OR REPLACEMENT.

This warranty does not extend to the purchase of opened, used, repaired, repackaged and/or resealed products, including but not limited to sale of such products on Internet auction sites and/or sales of such products by surplus or bulk resellers. Any and all warranties or guarantees shall immediately cease and terminate as to any products or parts thereof which are repaired, replaced, altered, or modified, without the prior express and written consent of SI PRODUCTS.

This warranty provides you with specific legal rights. You may have additional rights which may vary from state to state. Because of individual regulations, some of the above limitations and exclusions may not apply to you. For more information regarding our product line in the USA, please visit: www.siproducts.com

THE SHARPER IMAGE ® name and logo are registered trademarks.
Marketed and distributed by SI products under license. ©The Sharper Image.
All rights reserved.

IB-EV-HT10

THE
SHARPER
IMAGE

Portable Floor/Tabletop Ceramic Heater



**Instruction Manual and
Warranty Information**

EV-HT10

1 year
limited warranty



Stylish tabletop heater looks great in any room

Thank you for purchasing The Sharper Image® Portable Tabletop Ceramic Heater. This product, along with the entire The Sharper Image collection, connects innovation with cutting-edge design to provide you with years of dependability and enjoyment. Say good-bye to cold feet and hands and hello to a more comfortable, relaxing home or office environment with the stylish portable tabletop heater from The Sharper Image.

IMPORTANT SAFETY INFORMATION:

WHEN USING ELECTRICAL PRODUCTS, ESPECIALLY WHEN CHILDREN ARE PRESENT, BASIC SAFETY PRECAUTIONS SHOULD ALWAYS BE FOLLOWED, INCLUDING THE FOLLOWING:

READ ALL INSTRUCTIONS BEFORE USING

DANGER-TO REDUCE THE RISK OF ELECTRIC SHOCK:

- This heater is hot when in use. To avoid burns, do not let bare skin touch hot surface. If provided, always use handles when moving this heater. Keep combustible materials such as furniture, pillows, bedding, papers, clothes and curtains at least 3 feet from the front of the heater and keep them away from the sides and rear.
- Extreme caution is necessary when any heater is used by or near children or invalids and whenever the heater is left operating and unattended.
- Always unplug the heater when not in use.
- Do not operate the heater with a damaged cord or plug, if the heater malfunctions, has been dropped or damaged in any manner. Return heater to authorized service facility for examination, electrical or mechanical adjustment, or repair.

Caution: All servicing of this product must be performed by authorized SI Products Service Personnel only.

- This heater is not intended for use in bathroom, laundry areas and similar moist indoor locations. Never locate heater where it may fall into a bathtub or other water container.
- Do not run cord under carpeting. Do not cover cord with throw rugs, runners or the like. Arrange cord away from traffic areas where it can be tripped over.

CAUTION: This appliance has a polarized plug (one blade is wider than the other). To reduce the risk of shock, this plug is intended to fit only one way in a polarized outlet. If the plug does not fit fully in the outlet, reverse the plug. If it still does not fit, contact a qualified electrician. DO NOT attempt to defeat this safety feature. To do so could result in an electric shock hazard.

- This heater draws 12.5 amps during operation. To prevent overloading a circuit, do not plug the heater into a circuit that already has other appliances working.
- **CAUTION: It is normal for the plug to feel warm to the touch; however, a loose fit between the AC outlet (receptacle) and plug may cause overheating and distortion of the plug. Contact a qualified electrician to replace loose or worn outlet.**
- To disconnect the heater, first turn controls to the **OFF** position, then remove plug from outlet. Never pull by the cord.
- Do not insert or allow foreign objects to enter any ventilation or exhaust opening as this may cause an electric shock or fire, or damage the heater.
- To prevent a possible fire, do not block air intakes or exhaust in any manner. Do not use on soft surface, like a bed, where openings may become blocked.
- A heater has hot and arcing or sparking parts inside. Do not use it in the areas where gasoline, paint, or flammable liquids are used or stored.

- Use this heater only as described in this manual. Any other use not recommended by the manufacturer may cause fire, electric shock, or injury to persons.
- Always plug heaters directly into a wall outlet/receptacle. Never use with an extension cord or relocate power tap (outlet/power strip).

CAUTION: Avoid the use of an extension cord because the extension cord may overheat and cause a risk of fire. However, if you have to use an extension cord, the cord should be No.14 AWG minimum size and rated not less than 1875 watts.

- The output of this heater may vary and its temperature may become intense enough to burn exposed skin. Use of this heater is not recommended for persons with reduced sensitivity to heat or an inability to react to avoid burns.
- Always unplug the heater from the electrical outlet immediately after using and before cleaning.
- DO NOT place the heater near a bed because objects such as pillows or blankets can fall off the bed and be ignited by the heater.
- DO NOT reach for an appliance that has fallen into water. Unplug it immediately.
- DO NOT use while bathing or in the shower.
- DO NOT place or store appliance where it can fall or be pulled into a tub or sink.
- DO NOT place in or drop into water or other liquid.
- NEVER use pins or other metallic fasteners with this appliance.
- Keep dry - DO NOT operate in a wet or moist condition.

WARNING – TO REDUCE THE RISK OF BURNS, ELECTRIC SHOCK, FIRE OR INJURY TO PERSONS:

- An appliance should never be left unattended when plugged in. Unplug from outlet when not in use and before putting on or taking off parts or attachments.
- Extreme caution is necessary when this appliance is used by or near children, invalids or disabled persons.
- Use this appliance only for its intended use as described in this manual. Do not use attachments not recommended by The Sharper Image; specifically any attachments not provided with the unit.
- NEVER operate this appliance if it has a damaged cord or plug, if it is not working properly, if it has been dropped or damaged, or dropped into water. Return it to SI Products Service Center for examination and repair.
- Keep cord away from heated surfaces.
- NEVER drop or insert any object into any opening.
- DO NOT operate where aerosol (spray) products are being used or where oxygen is being administered.
- DO NOT operate under a blanket or pillow. Excessive heating can occur and cause fire, electrocution or injury to persons.
- DO NOT carry this appliance by the power cord or use cord as handle.
- To disconnect, turn all controls to the “off” position, then remove plug from outlet.
- This appliance is designed for personal, non-professional use only.
- DO NOT use outdoors.
- Check your heater cord and plug connections.
 - a) Faulty wall outlet connections or loose plugs can cause the outlet or plug to overheat. Be sure the plug fits tight in the outlet.
 - b) Heaters draw more current than small appliances, overheating of the outlet may occur even if it has not occurred with the use of other appliances.
 - c) During use check frequency to determine if your plug outlet or faceplate is HOT! If so, discontinue use of the heater and have a qualified electrician check and/or replace the faulty outlet(s).

SAVE THESE INSTRUCTIONS

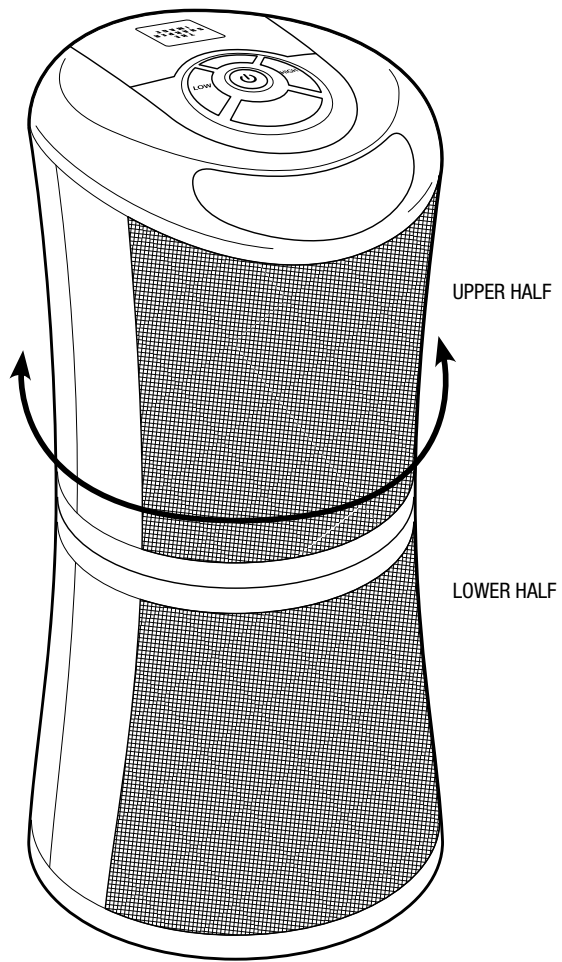


Fig. 1

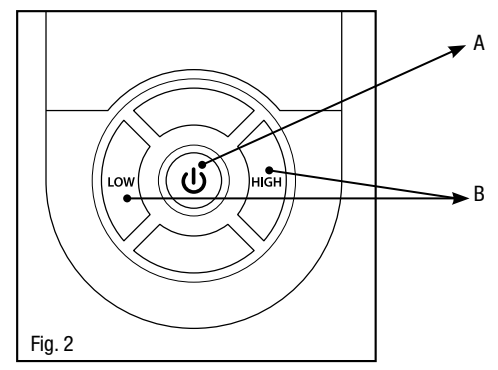


Fig. 2

A. POWER ON/OFF BUTTON
B. HEATER SETTING BUTTONS

Specification of Main Unit:

Input Voltage: 120V-60Hz

Output Power: 1500W

Current: 12.5A

OPERATING INSTRUCTIONS

Turning the Unit On

- Check that neither the appliance nor the power cable has been damaged when first using.
- Place the heater on a firm level surface, at least 3 ft. away from any wall and any other objects such as furniture, curtains, plants or combustible material.
- With the POWER in the "OFF" position. Plug heater into a standard AC outlet. (See important safeguards regarding use of extension cords)
- Press **POWER ON/OFF** button once to turn the heater on and the heater will automatically start at HIGH heat setting. The screen will display the HIGH indicator light.

WARNING: Your heater is equipped with a polarized alternating current line plug (a plug having one blade wider than the other). This plug will fit into the power outlet only one way. This is a safety feature. If you are unable to insert the plug fully into the outlet, try reversing the plug. If the plug should still fail to fit, contact your electrician to replace your outlet. DO NOT defeat the safety purpose of the polarized plug.

Heater Settings

- Press **LOW** button to choose Low heating setting and press **HIGH** button to choose high heating setting.
- When the unit is at the high heating position, the **HIGH** will light.
- When the unit is working at the low heating position, the **LOW** will light.

Turning the Unit Off

- Press the **POWER ON/OFF**  button to turn the heater ON or OFF (Fig. 2).

Manual Adjustable heating direction

- Turn the upper half of the heater to change the heating direction right or left (Fig. 1).

Resetting Heater

This heater is equipped with an internal high limit switch that causes the unit to stop operating in the event the internal temperature exceeds normal operating temperatures.

IF THE UNIT SHUTS OFF:

- 1) PRESS POWER ON/OFF BUTTON TO TURN OFF THE HEATER
- 2) UNPLUG UNIT AND WAIT 10 MINUTES
- 3) PLUG IN AND PRESS POWER ON/OFF BUTTON AGAIN TO TURN IT ON

TROUBLESHOOTING

If heater fails to operate:

- Be sure it is plugged in and that the electrical outlet is working. Check circuit breaker in case of blown circuit.
- Check for any obstruction. If you find an obstruction press POWER ON/OFF button to turn the heater OFF. Unplug the heater and wait at least ten minutes for it to cool. Carefully remove the obstruction. Plug the heater back in and restart it as described under Resetting Heater.
- If heater still does not operate, remove the plug from the socket and have the appliance serviced by authorized service personnel only.

CLEANING AND STORAGE

We recommend that the heater be cleaned at least once a month and before off-season storage.

- Turn the heater OFF and unplug it. Allow it to cool.
- Use a dry cloth to clean the external surfaces of the heater.

DO NOT USE WATER, WAX, POLISH OR ANY CHEMICAL SOLUTION.

- Clean your heater using the above-mentioned steps, then pack the heater in its original container and store it in a cool dry place.
- This heater does not disassemble.
- The motor is factory lubricated for life and will require no further lubrication