

THE
SHARPER
IMAGE

ONE YEAR LIMITED WARRANTY

SI PRODUCTS sells its products with the intent that they are free of defects in manufacture and workmanship for a period of one year from the date of original purchase, except as noted below. SI PRODUCTS warrants that its products will be free of defects in material and workmanship under normal use and service. This warranty extends only to consumers and does not extend to Retailers.

To obtain warranty service on your SI PRODUCTS product, mail the product and your dated sales receipt (as proof of purchase), postpaid, to the following address:

SI PRODUCTS Consumer Relations
Service Center Dept. 168
3000 Pontiac Trail
Commerce Township, MI 48390

No COD's will be accepted.

SI PRODUCTS does not authorize anyone, including, but not limited to, Retailers, the subsequent consumer purchaser of the product from a Retailer or remote purchasers, to obligate SI PRODUCTS in any way beyond the terms set forth herein. This warranty does not cover damage caused by misuse or abuse; accident; the attachment of any unauthorized accessory; alteration to the product; improper installation; unauthorized repairs or modifications; improper use of electrical/power supply; loss of power; dropped product; malfunction or damage of an operating part from failure to provide manufacturer's recommended maintenance; transportation damage; theft; neglect; vandalism; or environmental conditions; loss of use during the period the product is at a repair facility or otherwise awaiting parts or repair; or any other conditions whatsoever that are beyond the control of SI PRODUCTS.

This warranty is effective only if the product is purchased and operated in the country in which the product is purchased. A product that requires modifications or adoption to enable it to operate in any other country than the country for which it was designed, manufactured, approved and/or authorized, or repair of products damaged by these modifications is not covered under this warranty.

THE WARRANTY PROVIDED HEREIN SHALL BE THE SOLE AND EXCLUSIVE WARRANTY. THERE SHALL BE NO OTHER WARRANTIES EXPRESS OR IMPLIED INCLUDING ANY IMPLIED WARRANTY OF MERCHANTABILITY OR FITNESS OR ANY OTHER OBLIGATION ON THE PART OF THE COMPANY WITH RESPECT TO PRODUCTS COVERED BY THIS WARRANTY. SI PRODUCTS SHALL HAVE NO LIABILITY FOR ANY INCIDENTAL, CONSEQUENTIAL OR SPECIAL DAMAGES. IN NO EVENT SHALL THIS WARRANTY REQUIRE MORE THAN THE REPAIR OR REPLACEMENT OF ANY PART OR PARTS WHICH ARE FOUND TO BE DEFECTIVE WITHIN THE EFFECTIVE PERIOD OF THE WARRANTY.

NO REFUNDS WILL BE GIVEN. IF REPLACEMENT PARTS FOR DEFECTIVE MATERIALS ARE NOT AVAILABLE, SI PRODUCTS RESERVES THE RIGHT TO MAKE PRODUCT SUBSTITUTIONS IN LIEU OF REPAIR OR REPLACEMENT.

This warranty does not extend to the purchase of opened, used, repaired, repackaged and/or resealed products, including but not limited to sale of such products on Internet auction sites and/or sales of such products by surplus or bulk resellers. Any and all warranties or guarantees shall immediately cease and terminate as to any products or parts thereof which are repaired, replaced, altered, or modified, without the prior express and written consent of SI PRODUCTS.

This warranty provides you with specific legal rights. You may have additional rights which may vary from state to state. Because of individual regulations, some of the above limitations and exclusions may not apply to you. For more information regarding our product line in the USA, please visit: www.siproducts.com

SI Products
Service Center

1.888.856.6781
8:30a.m. – 7:00p.m. (EST)
M – F

Mail To: SI Products
Consumer Relations
Service Center Dept. 168
3000 Pontiac Trail
Commerce Township, MI
48390

e-mail:
cservice@siproducts.com

THE
SHARPER
IMAGE

Rechargeable Wine Opener



**Instruction Manual and
Warranty Information**

KP-W100

1 year
limited warranty

THE SHARPER IMAGE ® name and logo are registered trademarks.
Marketed and distributed by SI Products under license. ©The Sharper Image.
All rights reserved.

IB-KPW100



World's easiest wine bottle opener.

Thank you for purchasing The Sharper Image® Rechargeable Wine Opener. This product, along with the entire The Sharper Image® collection, connects innovation with cutting-edge design to provide you with years of dependability and enjoyment. Throw away that old manual bottle opener—the Sharper Image® Wine Opener is stylish and simple to use. You'll now be able to enjoy your favorite bottle of wine in a matter of seconds with the ergonomically designed Rechargeable Wine Opener from The Sharper Image®. Salute!

IMPORTANT SAFEGUARDS

WHEN USING ELECTRICAL PRODUCTS, ESPECIALLY WHEN CHILDREN ARE PRESENT, BASIC SAFETY PRECAUTIONS SHOULD ALWAYS BE FOLLOWED, INCLUDING THE FOLLOWING:

READ ALL INSTRUCTIONS BEFORE USING

DANGER - TO REDUCE THE RISK OF ELECTROCUTION:

- Always unplug the appliance from the electrical outlet immediately after using and before cleaning.
- DO NOT reach for an appliance that has fallen into water. Unplug it immediately.
- DO NOT use while bathing or in shower.
- DO NOT place or store appliance where it can fall or be pulled into a tub or sink.
- DO NOT place in or drop into water or other liquid.
- NEVER use pins or other metallic fasteners with this appliance.
- Keep dry - DO NOT operate in a wet or moist condition.

WARNING - TO REDUCE THE RISK OF BURNS, ELECTROCUTION, FIRE OR INJURY TO PERSONS:

- An appliance should never be left unattended when plugged in. Unplug from outlet when

Caution: All servicing of this product must be performed by authorized SI Products Service Personnel only.

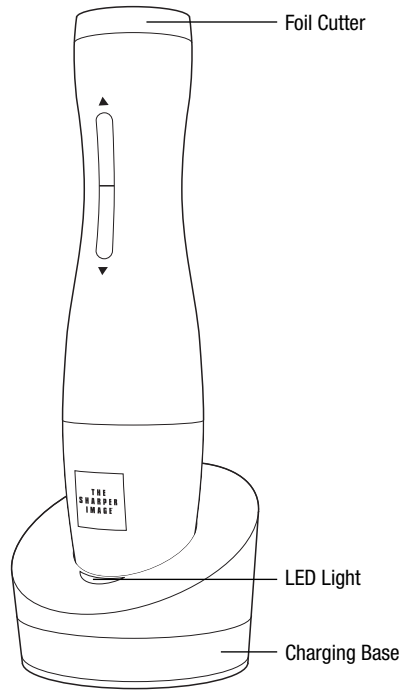
- not in use and before putting on or taking off parts or attachments.
- Close supervision is necessary when this appliance is used by, on or near children, invalids or disabled persons.
- Use this appliance only for its intended use as described in this manual. Do not use attachments not recommended by The Sharper Image; specifically any attachments not provided with the unit.
- NEVER operate this appliance if it has a damaged cord or plug, if it is not working properly, if it has been dropped or damaged, or dropped into water. Return it to SI Products Service Center for examination and repair.
- Keep cord away from heated surfaces.
- NEVER drop or insert any object into any opening.
- DO NOT operate where aerosol (spray) products are being used or where oxygen is being administered.
- DO NOT operate under a blanket or pillow. Excessive heating can occur and cause fire, electrocution or injury to persons.
- DO NOT carry this appliance by the power cord or use cord as handle.
- To disconnect, turn all controls to the "off" position, then remove plug from outlet.
- This appliance is designed for personal, non-professional use only.
- DO NOT use outdoors.

SAVE THESE INSTRUCTIONS

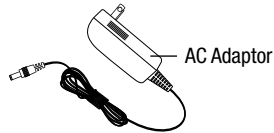
Caution – Please read all instructions carefully before operating.

- Never leave the appliance unattended, especially if children are present.
- Never cover the appliance when it is in operation.
- This unit should not be used by children without adult supervision.
- Always keep the cord away from high temperature and fire.
- Do not lift, carry, hang, or pull the product by the power cord.
- If the adaptor sustains damage, you must stop using this product immediately and contact SI Products Service Center. (See the warranty section for SI Products address.)

Fig. 1



- Included in box:
- Wine Opener
 - Foil Cutter
 - Charging Base
 - AC Adaptor



Wine Opener – Operation Instruction

We recommend that you charge your Wine Opener for at least 12 hours before using for the first time. Please follow the instructions for recharging as stated below:

1) Recharging your Wine Opener

- Plug one end of the adaptor cord into the base of the recharging base and the other into an electrical outlet.
- Place the wine opener into the charging base, making sure that it is firmly in position and is fully engaged with the recharging connection. (Fig.1)
- Push the “Charge” button to begin the charging process—this feature will prolong the life of your battery by recharging only when needed. It will take approximately 12 hours to recharge your Wine Opener for the first time.
- When the wine opener is fully charged, the LED light becomes green (non blinking). (Fig.1)

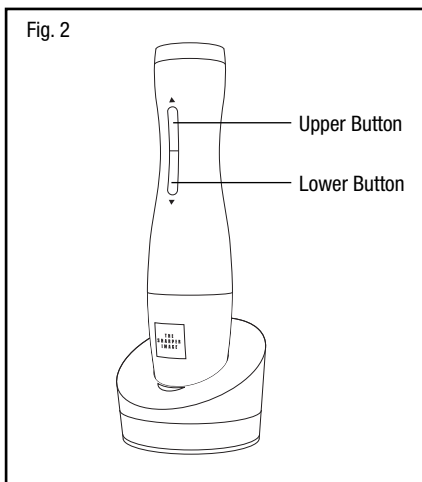
2) Using the Foil cutter

This unit has a magnetized removable foil cutter placed on the top of the unit. Before removing the cork, you must remove any foil from the bottle.

- Attach foil cutter to the top of the wine bottle.
- Keep hand on lower part of the bottle and turn foil cutter in twisting motion to remove foil.
- Remove foil to expose top part of the cork surface.

3) Using the Wine Opener

- Remove the Wine Opener from base and place the Wine Opener on the top of the wine bottle making sure that it remains as straight/upright as possible. NOTE: If you hold the Wine Opener at an angle to the bottle it will not remove the cork properly.
- Hold the Wine Opener firmly and depress the lower button. (Fig. 2) The corkscrew spiral will turn in a counter-clockwise direction and enter the cork, then gradually remove it from the bottle. When the Wine Opener has stopped, the cork has been fully removed from the bottle.
- Lift the Wine Opener up and away from the bottle. To remove the cork from unit, depress the upper button. (Fig. 2) The spiral will turn in a clockwise direction and release the cork.
- Always return the Wine Opener to the charging base when done. This will protect the unit while not in use.



Maintenance

To Store

You may leave the unit on display, or you can store it in its box in a cool, dry place.

To Clean

Use only a soft dry cloth to clean the enclosure of the unit. NEVER use liquids or abrasive cleaner to clean.